



## JETSPRAY™ MODEL JT30

3 FLAVOR  
VISUAL DISPLAY DISPENSER



### FEATURES

**Boost Sales** - Visual display dispensing system creates impulse sales

**Flexibility** - Choice of Standard or Premium models  
Interchangeable 3 (11 L) and 5 (19 L) gallon bowls mix and match to meet variable product demand

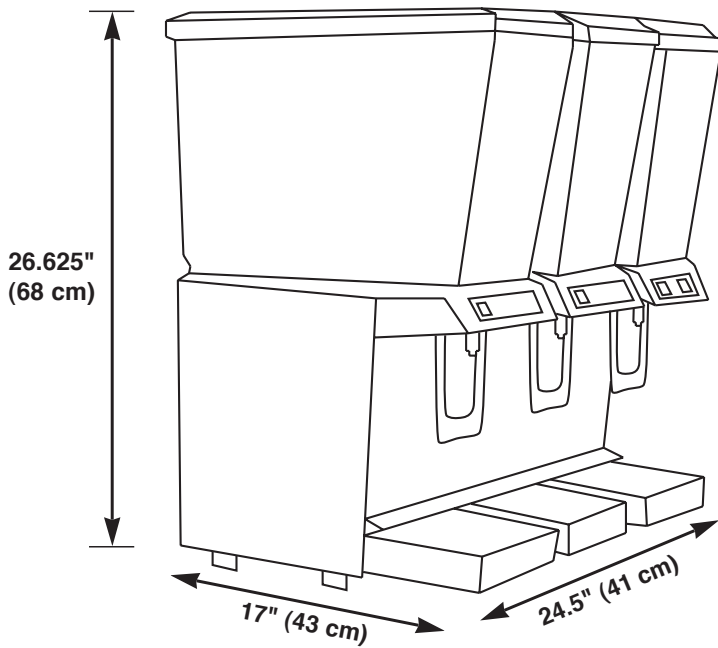
**Options** - Available in any combination of 1, 2, or 3 in-bowl whippers to serve a variety of whipped beverages

**Reliability** - Unique pinch tube system reliably dispenses all types of beverages, including those with heavy pulp

**Quality** - Constant recirculation of beverage keeps drinks chilled and fresh

**No downtime** - any one bowl can be removed and sanitized while the continues to dispense

**Ease of use** - Easy cleaning and maintenance



PART NUMBER	DESCRIPTION
JT30	Cold Beverage Dispenser JT30, Visual Three Bowl, 5 Gallon Spray Type, 115V / 60Hz
A8560	Cold Beverage Dispenser JT30 Visual Three Bowl, 5 Gal Spray Type White Cladding, 230V / 60Hz
A8540	Cold Beverage Dispenser JT30 Visual Three Bowl, 5 Gal Spray Type White Cladding, 230V / 50Hz

## TECHNICAL SPECIFICATIONS

CABINETRY . . . . . White plastic and stainless steel

BEVERAGE BOWL & COVER . . . . . Transparent, virtually unbreakable LEXAN® resin, with U.S. gallon and liter markings

SHORT BOWL OPTION . . . . . 3 gal: 23 5/8"H  
ON STANDARD BASE . . . . . 5 gal: 26 5/8"H

BEVERAGE CAPACITY . . . . . 5 gal (19 L)

CUP CLEARANCE . . . . . 9"

REFRIGERATION . . . . . JetSpray 1/6 HP hermetically sealed system R134a

NET WEIGHT . . . . . JS7: 44 lb (20 kg)

SHIPPING WEIGHT . . . . . JS7: 52 lb (23.6 kg)

CARTON VOLUME . . . . . 4.2 cu ft (0.10 cuM)

AGENCY LISTINGS . . . . .  

