



## JETSPRAY™ MODEL JT20

2 FLAVOR

VISUAL DISPLAY DISPENSER



### FEATURES

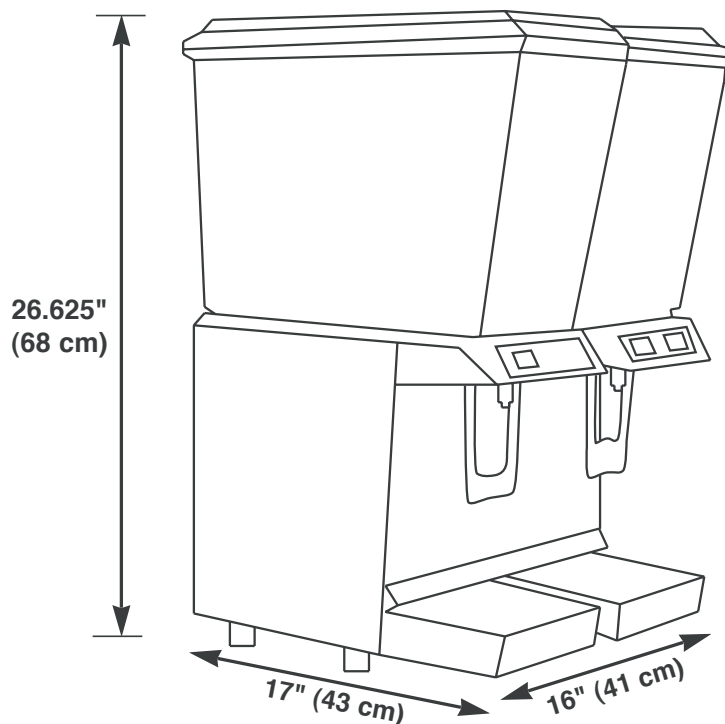
**Boost Sales** - Visual display dispensing system creates impulse sales

**Flexibility** - Choice of Standard or Premium models  
Interchangeable 3 (11 L) and 5 (19 L) gallon bowls mix and match to meet variable product demand

**Options** - Unique pinch tube system reliably dispenses all types of beverages, including those with heavy pulp

**No downtime** - any one bowl can be removed and sanitized while the other bowl continues to dispense

**Ease of use** - Easy cleaning and maintenance



PART NUMBER	DESCRIPTION
JT20	Cold Beverage Dispenser JT20 Visual Two Bowl, 5 Gal Spray Type White Cladding, 115V / 60Hz

## TECHNICAL SPECIFICATIONS

**CABINETS** . . . . . White plastic (Standard),  
Black plastic (Premium)  
and stainless steel

**BEVERAGE BOWL & COVER** . . . . . Transparent, virtually  
unbreakable LEXAN®  
resin, with US gallon  
and liter markings

**SHORT BOWL OPTION** . . . . . 3 gal: 23 5/8"H  
**ON STANDARD BASE** . . . . . 5 gal: 26 5/8"H

**BEVERAGE CAPACITY** . . . . . Large Bowl: ~10 gal (38 L)  
Small Bowl: ~6 gal (22.8 L)

**CUP CLEARANCE** . . . . . 9"

**REFRIGERATION** . . . . . Jet Spray 1/5 HP  
hermetically sealed  
system R134a

**PACKAGING** . . . . . Packed in 3 cartons,  
1 for base and 2 for bowls

**NET WEIGHT** . . . . . JT Series: 52 lb (23.6 kg)

**SHIPPING WEIGHT** . . . . . JT Series: 62 lb (28.2 kg)

**AGENCY LISTINGS** . . . . .

